

Avionics  
Avionics.sch

Power  
Power.sch

Connectors  
Connectors.sch

RF\_and\_GPS  
RF\_and\_GPS.sch

Burn\_Wires  
Burn\_Wires.sch

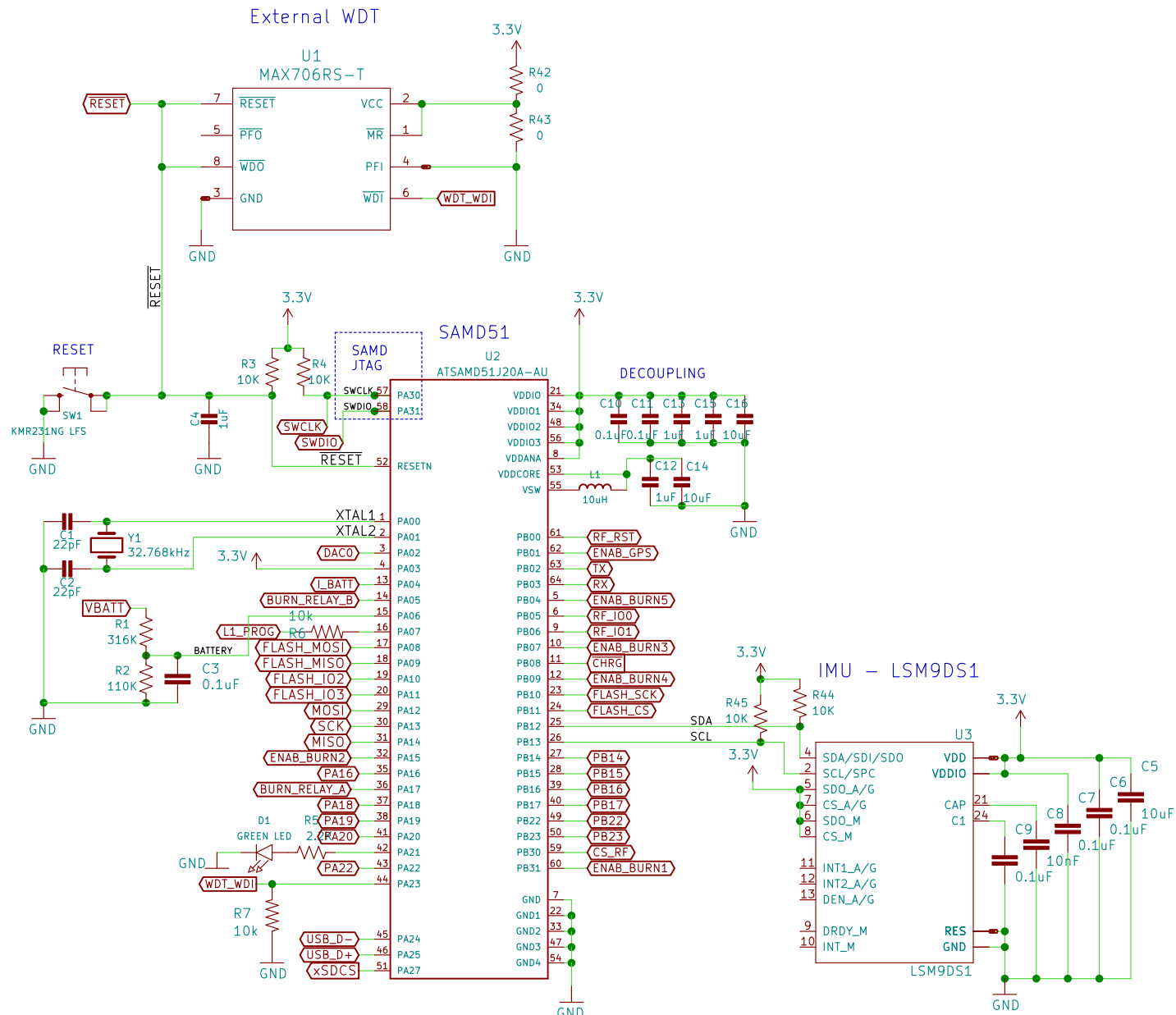
Zac Manchester  
Max Holliday  
rexlab.stanford.edu  
**Stanford University**

Sheet: /  
File: mainboard.sch

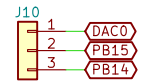
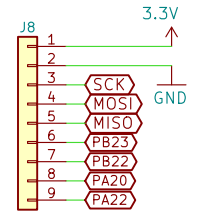
**Title: PyCubed Mainboard**

Size: A4      Date:  
KiCad E.D.A. kicad (5.1.0)-1

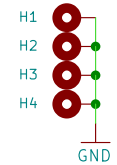
**Rev: v02**  
Id: 1/6



### Breakout Pins



### Mounting Holes



Zac Manchester  
 Max Holliday  
 rexlab.stanford.edu  
**Stanford University**  
 Sheet: /Avionics/  
 File: Avionics.sch

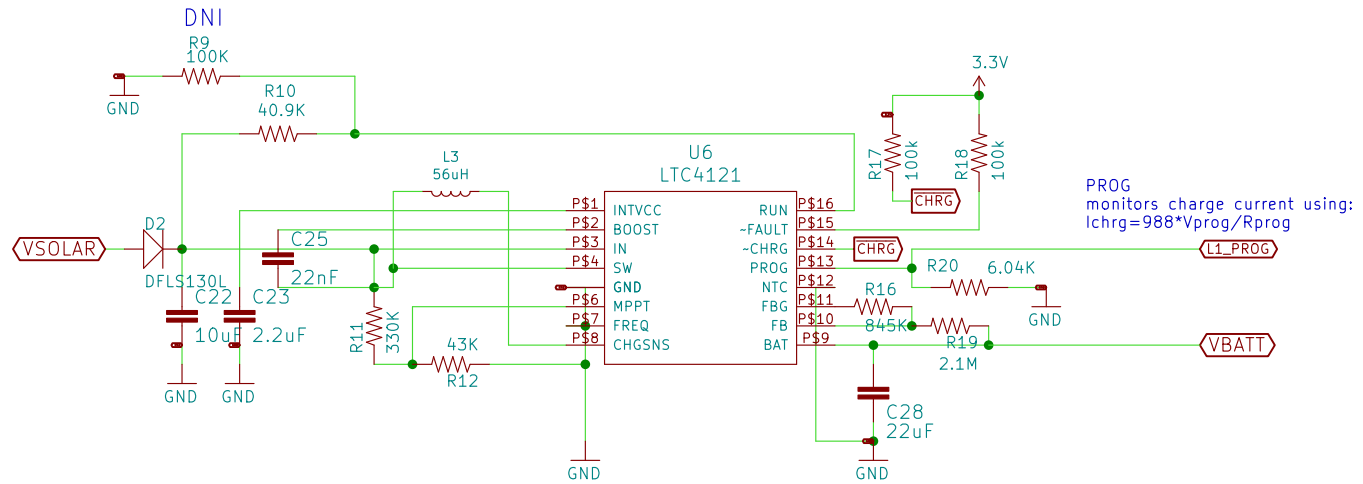
# Avionics

### Title: PyCubed Mainboard

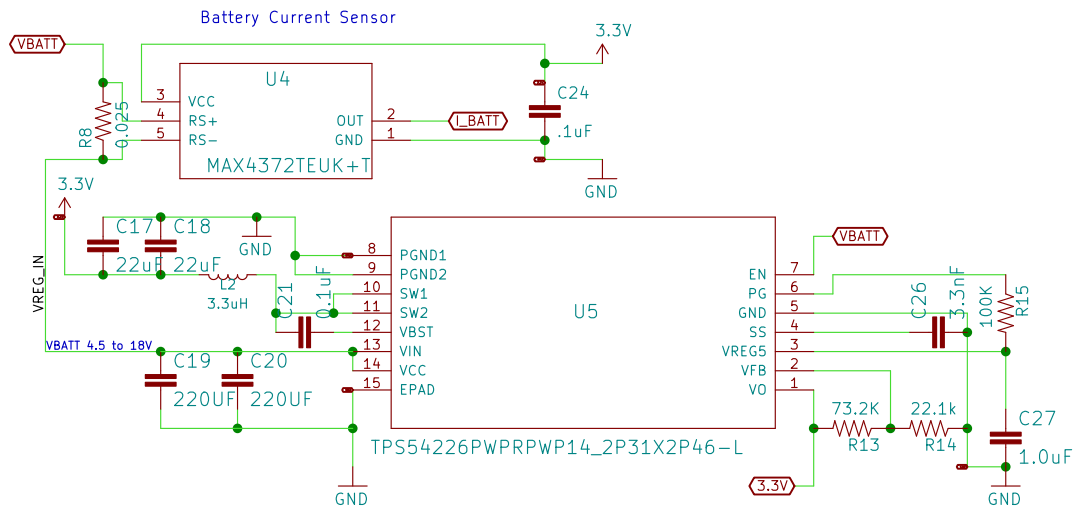
Size: User Date:  
 KiCad E.D.A. kicad (5.1.0)-1

Rev: v02  
 Id: 2/6

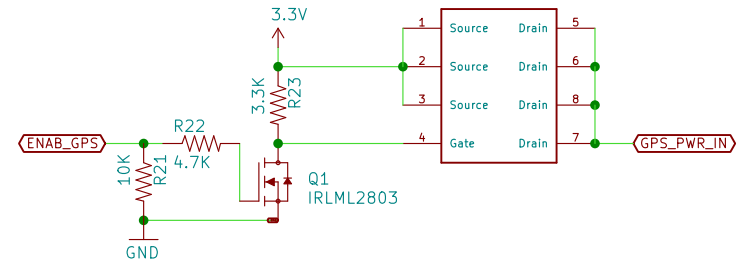
## 2s2P Li-Ion Battery Charging Circuit



## Regulator - 3.3V OUT



## GPS Power



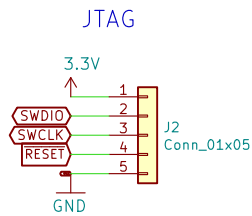
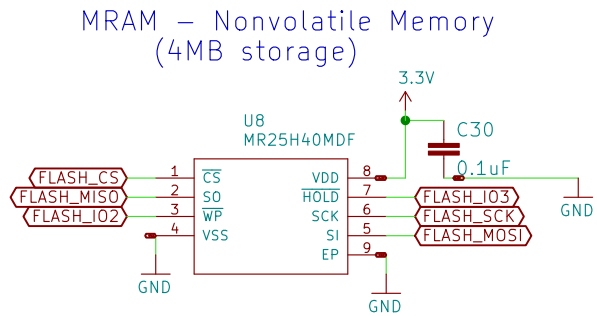
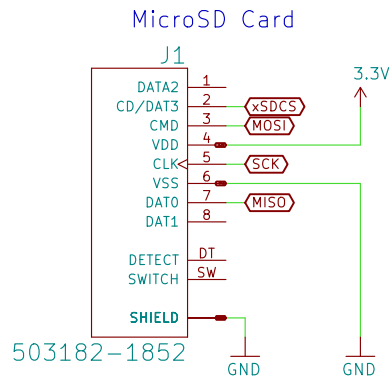
Zac Manchester  
 Max Holliday  
 rexlab.stanford.edu  
**Stanford University**  
 Sheet: /Power/  
 File: Power.sch

# Power

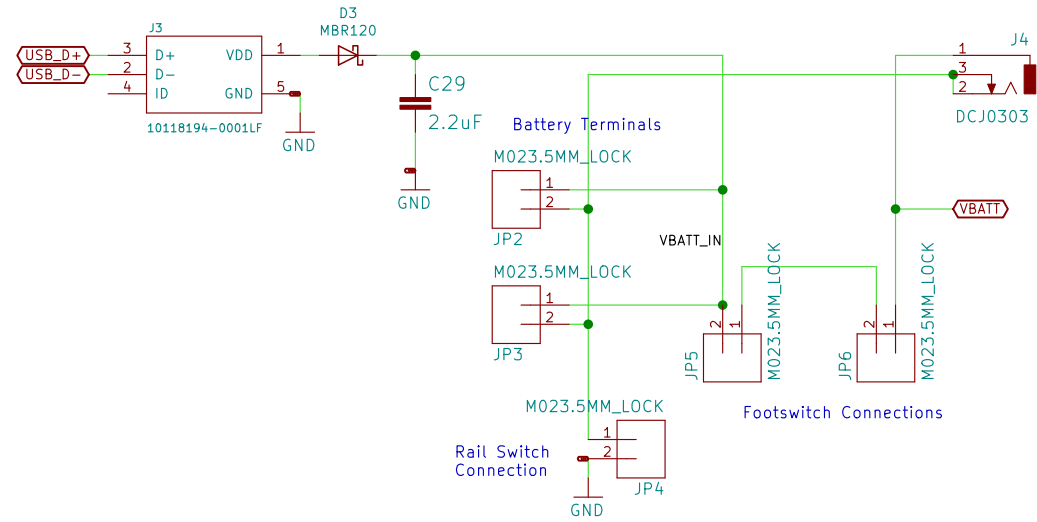
### Title: PyCubed Mainboard

Size: A4 Date:  
 KiCad E.D.A. kicad (5.1.0)-1

Rev: v02  
 Id: 3/6



### Power Connectors: USB, Barrel Plug, Battery



Zac Manchester  
 Max Holliday  
 rexlab.stanford.edu  
**Stanford University**

# Connectors

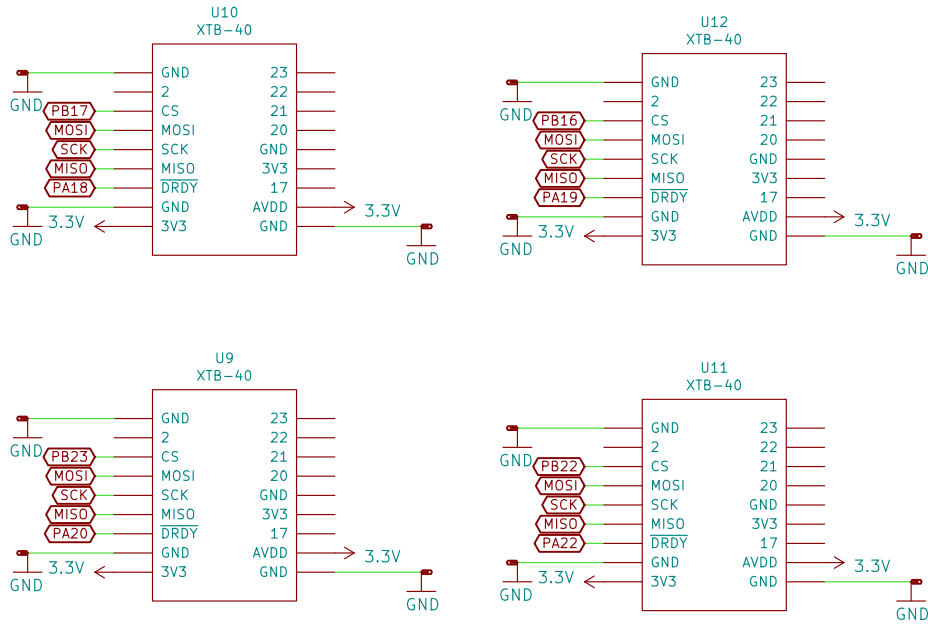
Sheet: /Connectors/  
 File: Connectors.sch

**Title: PyCubed Mainboard**

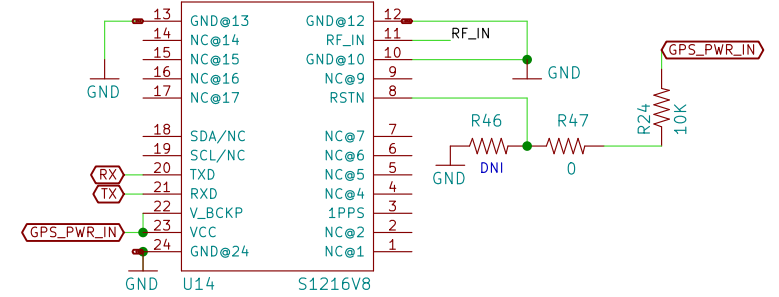
Size: User Date:  
 KiCad E.D.A. kicad (5.1.0)-1

**Rev: v02**  
 Id: 4/6

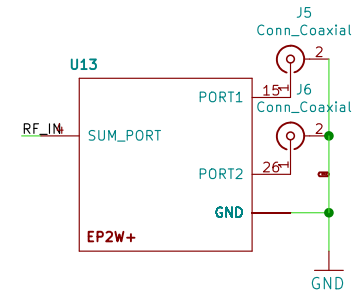
# Payload Modules



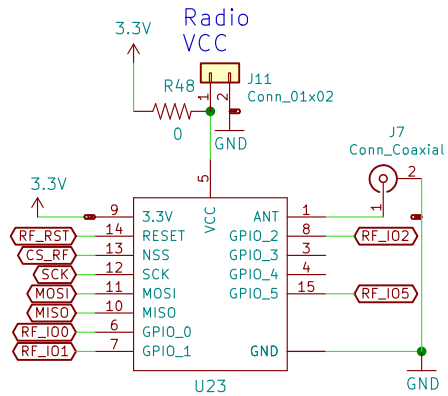
# GPS Module



# RF Splitter (2 Way, 0deg DC-Pass)



# HopeRF RFM98PW module at 3.3V



Zac Manchester  
Max Holliday  
rexlab.stanford.edu

# Radio, GPS, Payloads

Stanford University

Sheet: /RF and GPS/  
File: RF\_and\_GPS.sch

## Title: PyCubed Mainboard

Size: A4

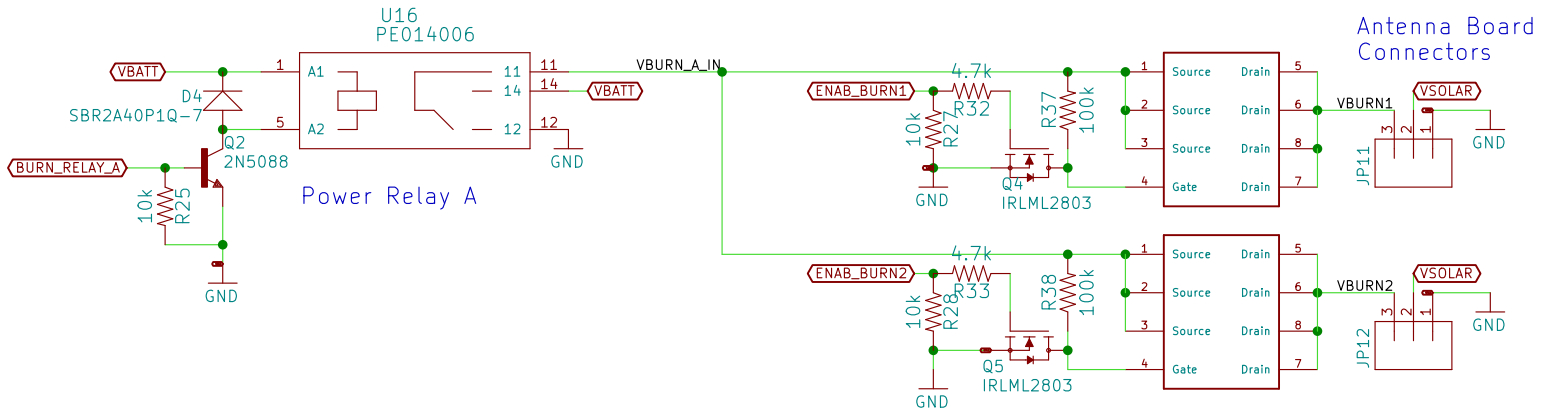
Date:

Rev: v02

KiCad E.D.A. kicad (5.1.0)-1

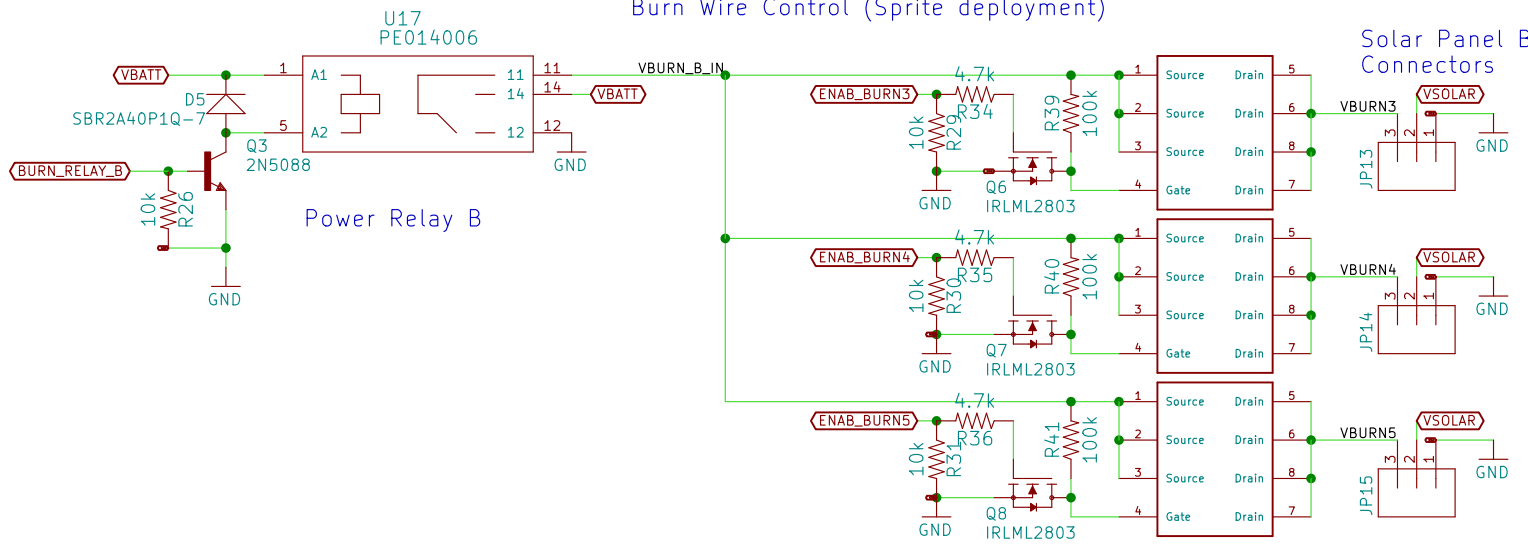
Id: 5/6

### Burn Wire Control (Antenna Deployment)



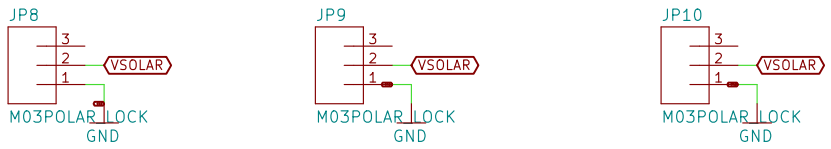
### Antenna Board Connectors

### Burn Wire Control (Sprite deployment)



### Solar Panel Board Connectors

### Solar Panel Connectors



Zac Manchester  
 Max Holliday  
 rexlab.stanford.edu  
**Stanford University**

Sheet: /Burn Wires/  
 File: Burn\_Wires.sch

**Title: PyCubed Mainboard**

Size: User	Date:	<b>Rev: v02</b>
KiCad E.D.A. kicad (5.1.0)-1		Id: 6/6

# Burn Wires